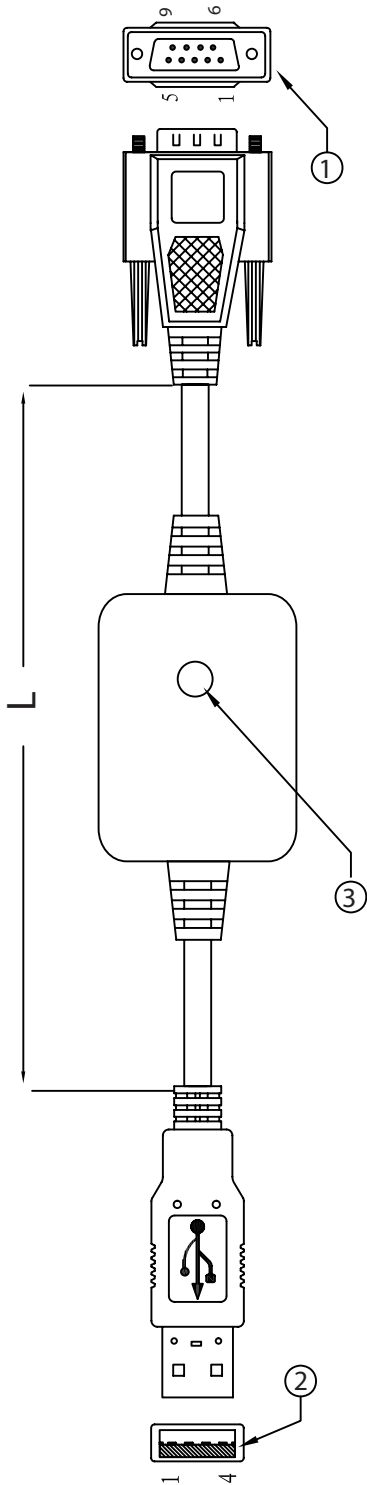




Serial (RS232) to HID Keyboard Converter Cable



Use this smart converter cable with any serial device such as RFID reader, Barcode reader, Game Controller, etc. and instantly see the output on your screen. The converter cable works with both PC and MAC and identifies itself as an additional HID keyboard and requires no driver installation. The converter cable draws the power from USB port and requires no external power supply.

Part Number	HIDMDB9USBA-3	HIDMDB9USBA-1	
Baud Rate	9600 bps	38400 bps	
Color	Black		
Cable Length (L)	1880 mm (74 Inch)		
Power	USB power, no external power supply		
Host	PC and MAC compliant		
Drawing Legend	<p>① Serial port (RS232) DB9 Male Connector</p> <p>② Serial port (USB) USB A Connector</p> <p>③ Working indicator, red LED</p>		
Connection	Smart cable RS232 pins 2(RX) 3(TX) 5(GND)		Your device RS232 pins TX RX GND