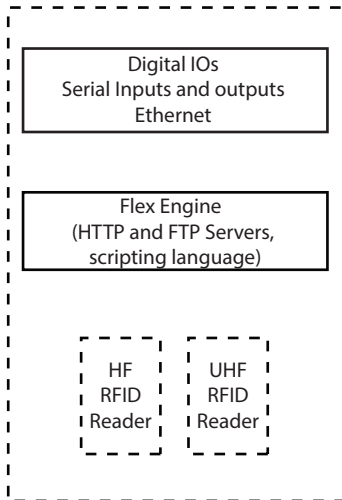




RFID Line Master (LM10-xx)



LM10-XX



RFID Line Master is a perfect choice for automating RFID label processing including applying fully tested and/or encoded RFID tags to end products.

This device allows labeling machinery manufacturers to quickly outfit their products for HF and/or UHF compliancy.

RFID Line Master Flex Engine scripting language allows seamless implementation of applications for HF only, UHF only or dual frequencies. Built in web server allows accessing and updating scripts and reports stored in the flash memory of a device.

Intelletto provides number of sample scripts that allows encoding and testing HF and UHF RFID tags based on known standards.

Note: Items marked with ** are considered special orders (minimum order required or extra charge will apply)

| Part Number Assembly | Product Identifier | RFID Frequency | Enclosure Type |
|-----------------------------|---|----------------|----------------------------|
| | LM10 | - X | X |
| | | 1 (HF) | 0 (Din-Rail) |
| | | 2 (UHF) | 1 (Back Plate Mounting) ** |
| | | 3 (HF and UHF) | |
| Certifications & Compliance | FCC, ICS, CE (pending) and RoHS | | |
| HF Tag Protocols | ISO15693, ISO14443A/B, NFC Type2 | | |
| UHF Tag Protocols | EPC Gen2 (ISO18000-6C) | | |
| HF Output Power | 23dBm | | |
| UHF Output Power | 22dBm | | |
| Enclosure Material | Aluminum | | |
| Supply Rating | 24volts 1A | | |
| Storage Capacity | 4Mbyte Serial Flash | | |
| Digital Inputs | 4 opto-isolated with indicator LEDs | | |
| Digital Outputs | 4 pulled up to input supply with indicator LEDs | | |
| Serial Ports | 1xRS232 male, 1xRS232 Female | | |
| Ethernet | 1x100/10 base T, RJ45 connector | | |
| Other Indicators | Internal Buzzer, Working LED | | |
| Operating Temp. | 0 up to +40 Centigrade | | |
| Storage Temp. | -15 up to +70 Centigrade | | |
| Dimensions | 117.0mm[4.61"] 112.3mm[4.42"] 70.1mm[2.76"] | | |