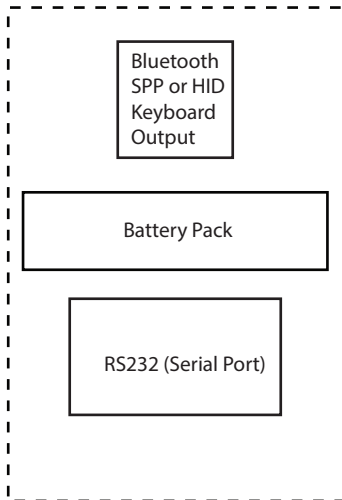




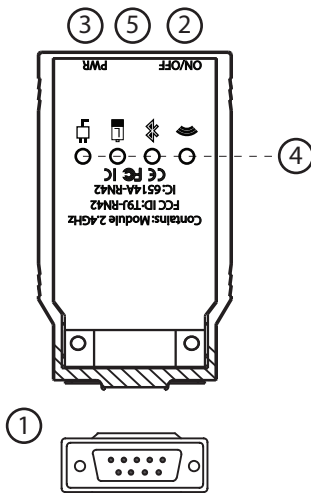
SBK200-XXXX



This device can be used to convert output of a serial (RS232) device to Bluetooth stream. SBK200 is available in HID keyboard and serial (SPP) profiles. SBK200 can be used with iPhone®, iPad® and iPod® in HID keyboard profile and Android devices in both HID keyboard and SPP modes.

SBK200 is equipped with a Lithium Ion battery that allows operation without any power supply. SBK200 built in charger allows charging the battery with any USB port or adaptor.

Note: Items marked with ** are considered special orders (minimum order required or extra charge will apply)



Part Number Assembly	Product Identifier	Baud Rate bps	Bluetooth Profile	USB/HID Keyboard Layout
	SBK200 - X	3 (9600)	X 0 (SPP) 1 (HID Keyboard)	X E (English) F (French) ** D (German)**
Certifications & Compliance	FCC, ICS, CE and RoHS			
Bluetooth	Fully qualified Bluetooth 2.1/2.0/1.2/1.1			
Baud Rate Options	9600 bps, others up on request			
Keyboard Layout Option	English, French, German			
Internal Battery	Lithium Ion 3.7volt 6.5Wh			
Color	Beige			
Drawing Legend	① Serial port (RS232) DB9 Male Connector ② ON/OFF switch ③ Charger input USB mini Connector ④ 4xLEDs (charging, low battery, connected and searching) ⑤ Tactile button (toggles soft keyboard on iOS devices)			
RS232 Connection	SBK200 RS232 pins 2(RX) 3(TX) 5(GND)		Your device RS232 pins TX RX GND	
Accessories	Part Number	Description		
Optional, must be ordered with separate part number	PWRACUSBF-001	USB Power Adaptor and Cable		