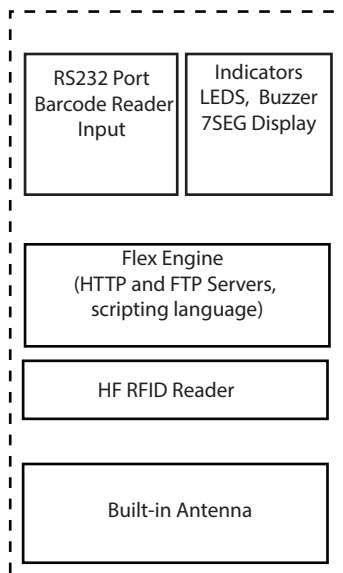




SP10



Smart Programmer is a perfect choice for semi automatic RFID encoding of RFID tags from a matching barcode. This device accepts an external barcode reader (through RS232 port) input and encodes a RFID tag using built-in antenna.

Smart Programmer uses Intelletto Flex Engine scripting language that allows implementation of multiple encoding schemes depending on application without a need for a host computer, reducing the overall cost of programmer station ownership.

Intelletto provides tailored application specific encoding schemes for library applications as well as other custom applications.

Note: Items marked with ** are considered special orders (minimum order required or extra charge will apply)

Part Number	SP10
Package Option	Libs Programmer Station content: - Smart Programmer SP10 - Wall Adaptor 110v~240 2A - Barcode Reader with stand - Encoding Engine for Library
Customization Option	Custom Branding (includes top label custom label) ** Custom Package (includes custom engine and accessories) **
Certifications & Compliance	FCC, IC and RoHS
HF Tag Protocols	ISO15693, ISO14443A/B, Tag-it, NFC Type2
RF Power	200mW (23dBm)
Enclosure Material	ABS
Supply Rating	+9 volts 1A
Storage Capacity	4Mbyte Serial Flash
Serial Ports	1xRS232 male
Ethernet	1x100/10 base T, RJ45 connector
Indicators	4xLEDS, 1x7SEG Display, Armed LED,
Operating Temp.	0 up to +40 Centigrade
Storage Temp.	-15 up to +70 Centigrade
Dimensions	171.5mm [6.75"] 158.7mm [6.25"] 41.4mm [1.63"]