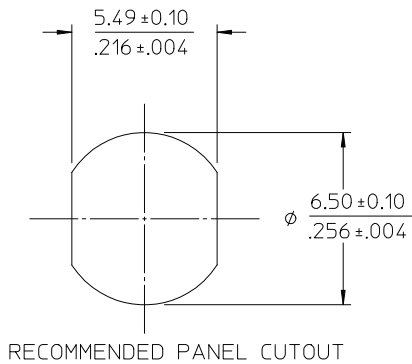
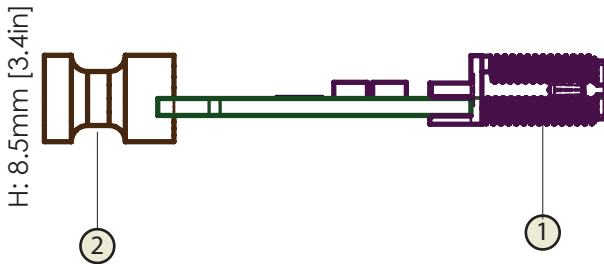


W: 11.0mm [0.44 in]



Part Number	ANTH400-H	
Frequency	13.56 MHz	
Max TX Power	<1 watt	
VSWR	Less than 1.5	
Input Impedance	50 Ohm	
Dimension Max	W: 11.0mm[0.44 in] H: 8.5mm[0.34 in] L: 52.0 mm[2.00 in]	
Connector	SMA Jack	
Drawing Legend	SMA Jack Connector ① Ferrite Coil ②	
Note	1- Panel mount max thickness 3mm 2- Read Range up to ~50mm[2in]	